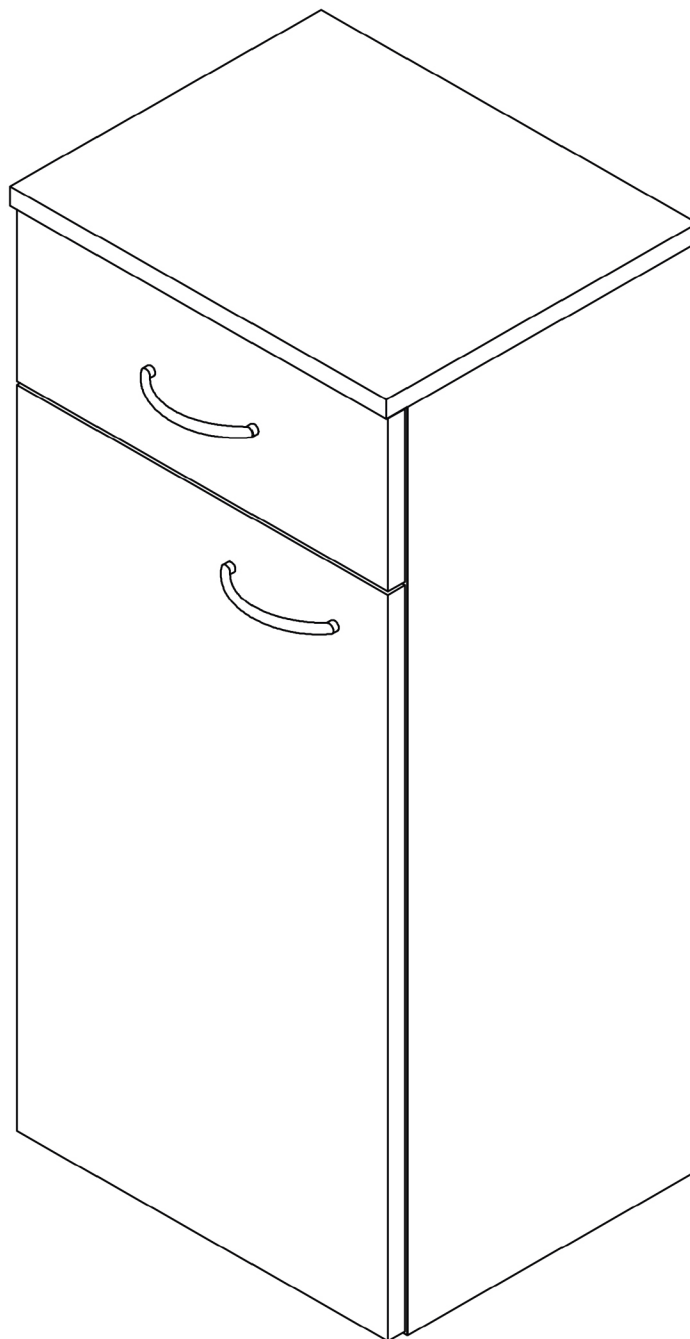
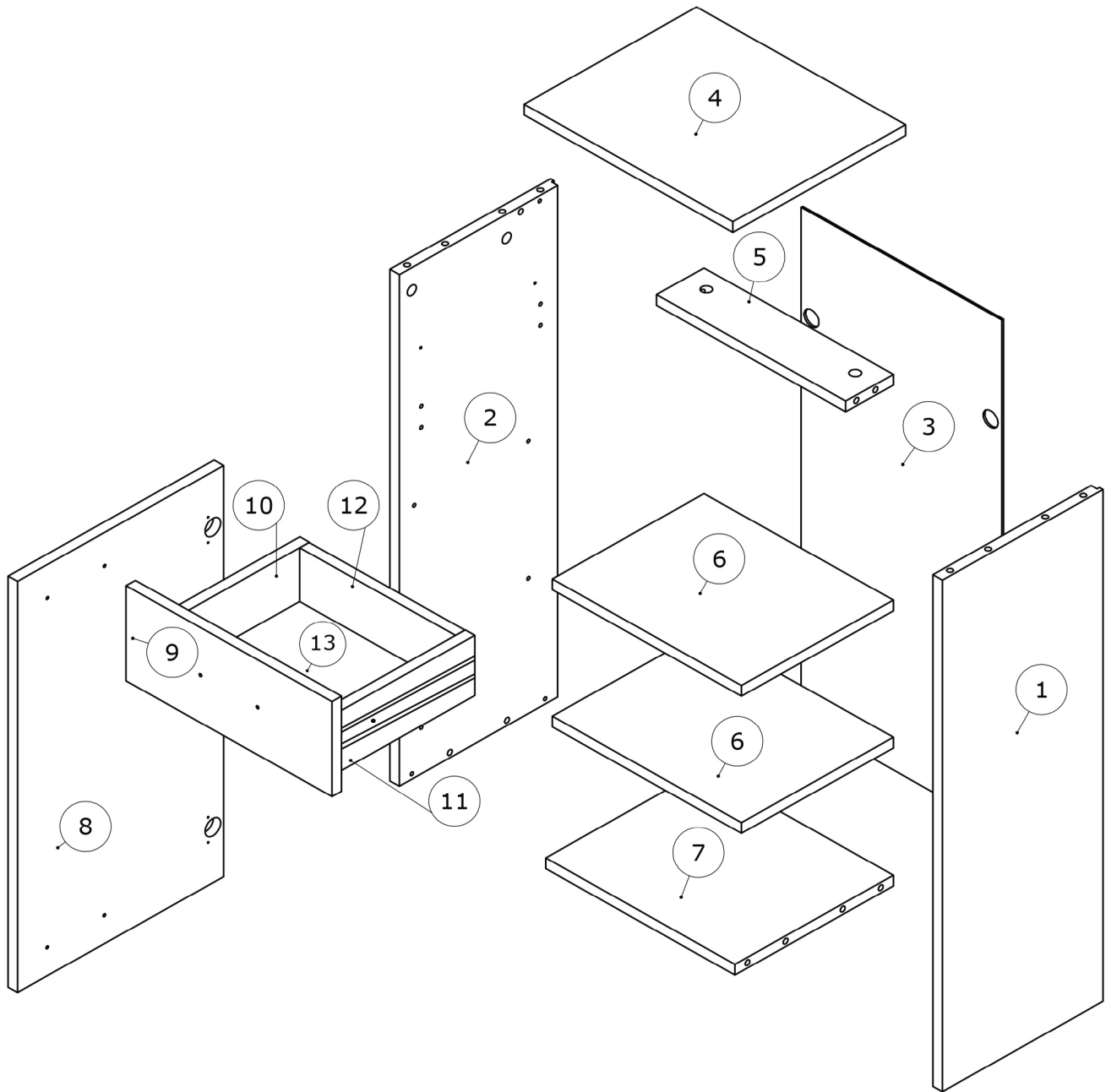



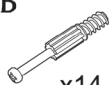
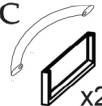










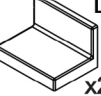

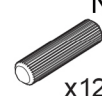
51250  
51251  
51252

**MONTÁŽNÍ NÁVOD**  
**ASSEMBLY INSTRUCTION**

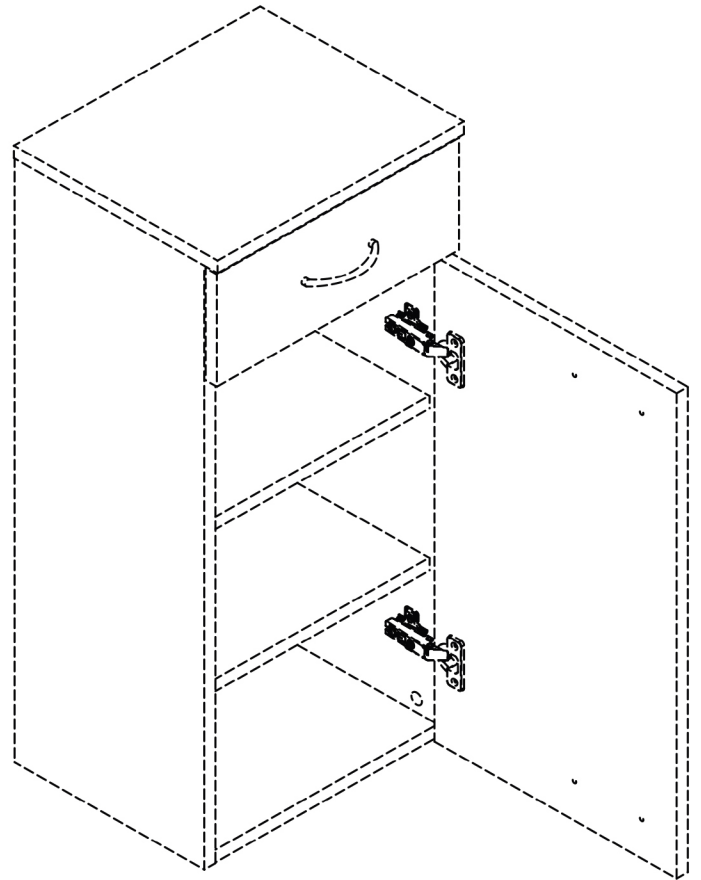
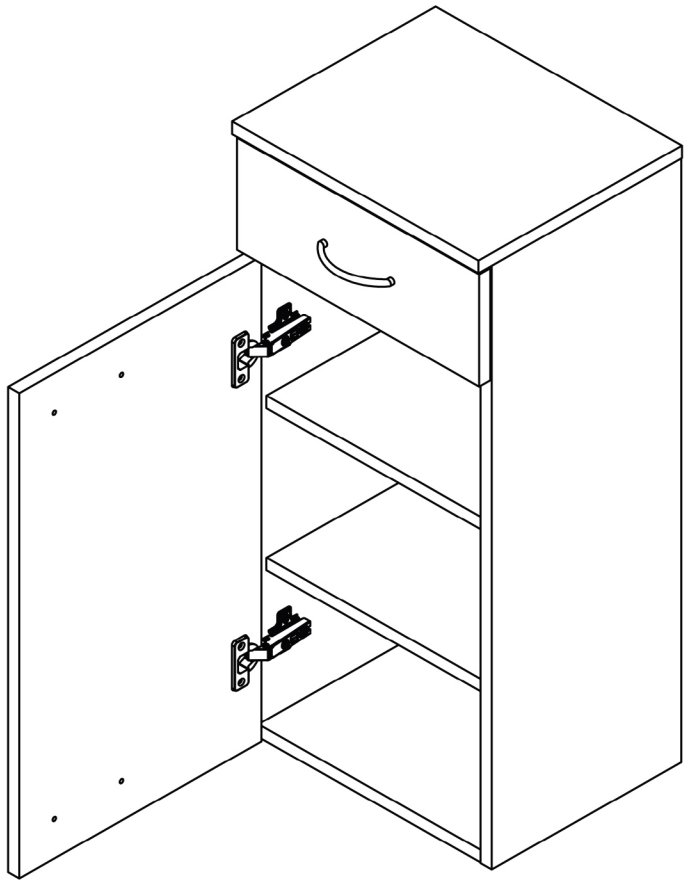


**1**



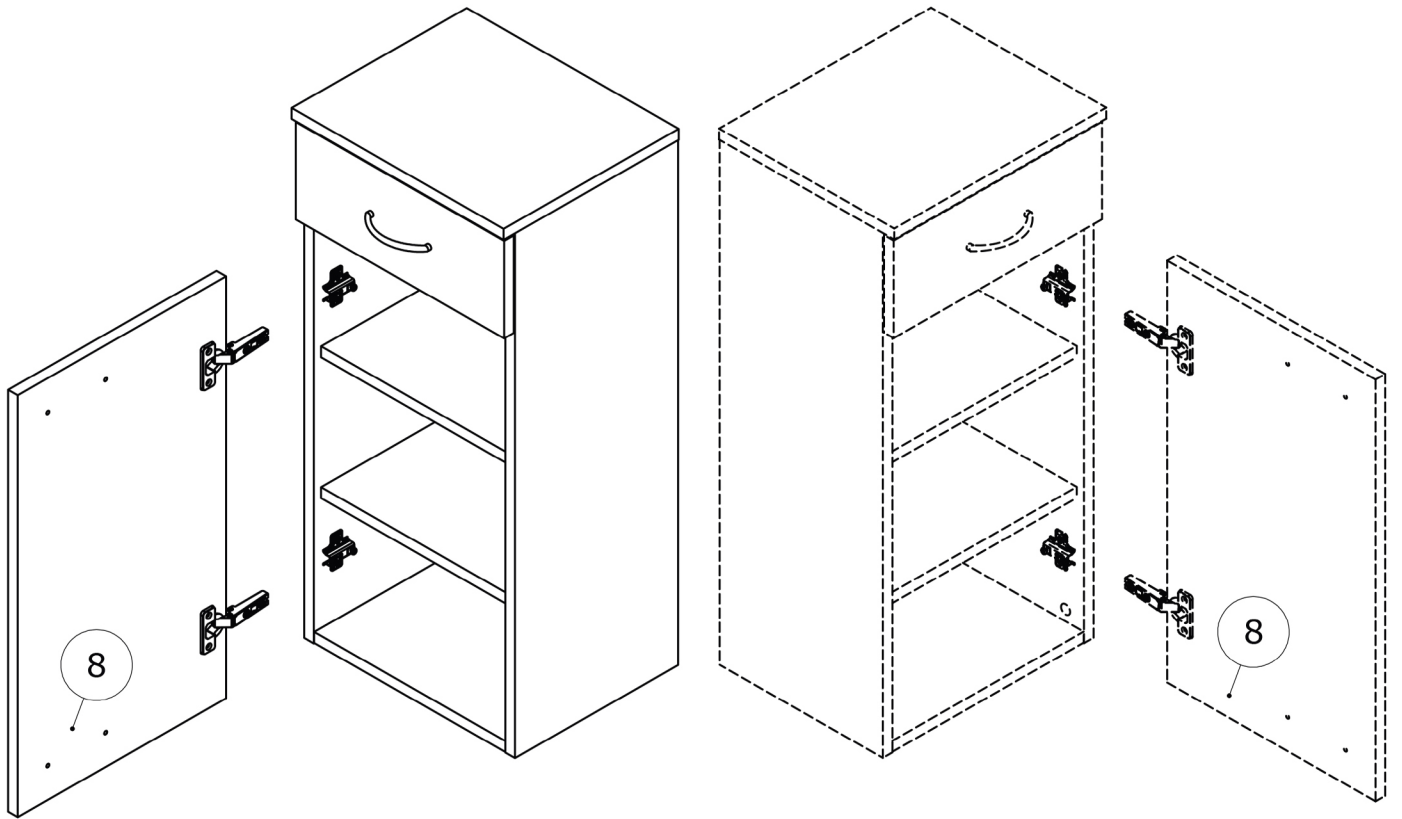
<b>A</b>  x14	<b>B</b>  x14	<b>C</b>  x2	<b>D</b>  4x16 x12	<b>E</b>  6x15 x4	<b>F</b>  x8	<b>G</b>  x2	<b>H</b>  x2	<b>I</b>  x4	<b>J</b>  x2	<b>K</b>  x20
<b>O</b>  x1		<b>P</b>  x1		<b>L</b>  x2	<b>M</b>  x2	<b>N</b>  x12				

2

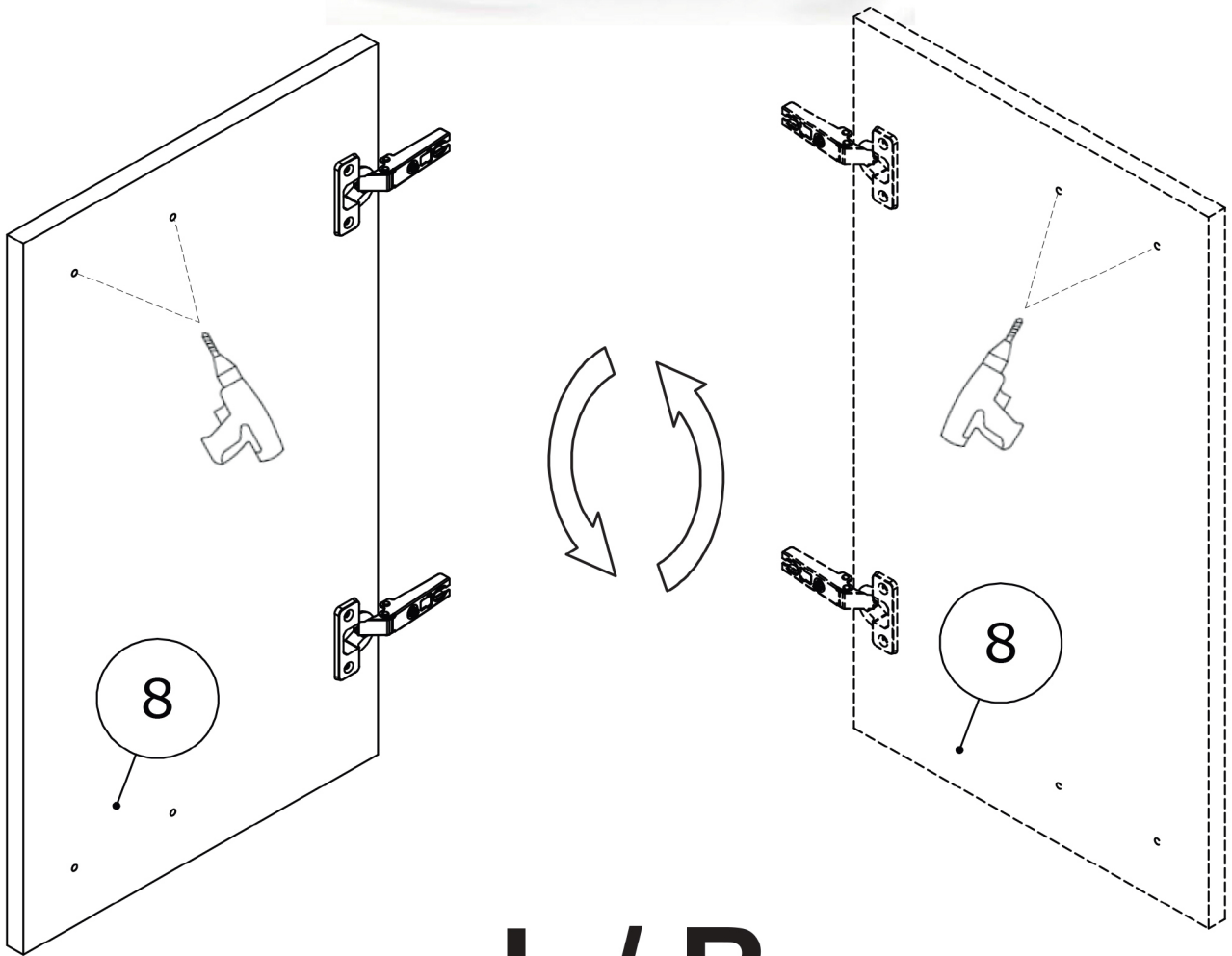


3



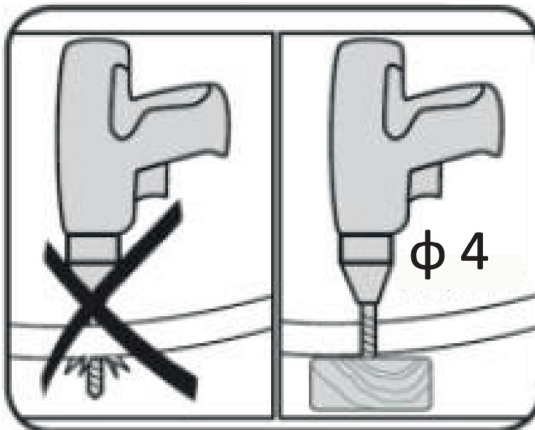


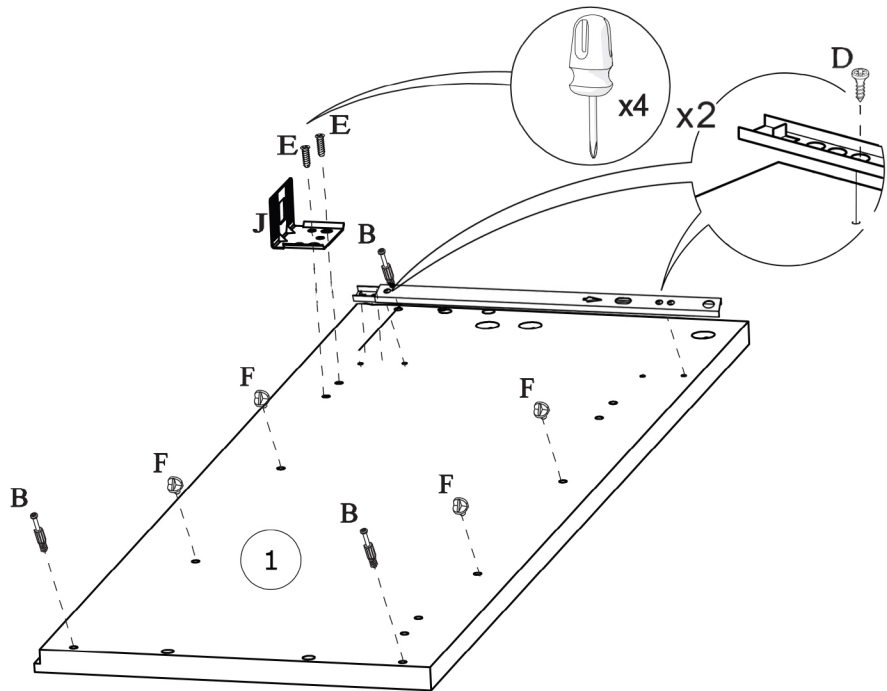
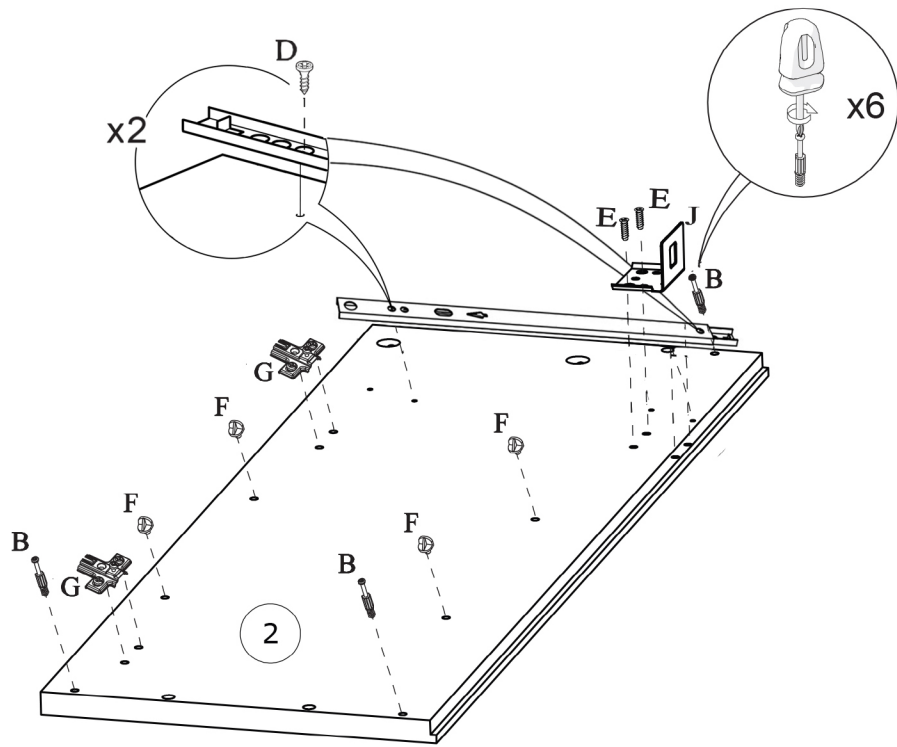
4

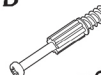
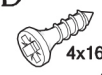


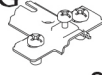





**L / R**

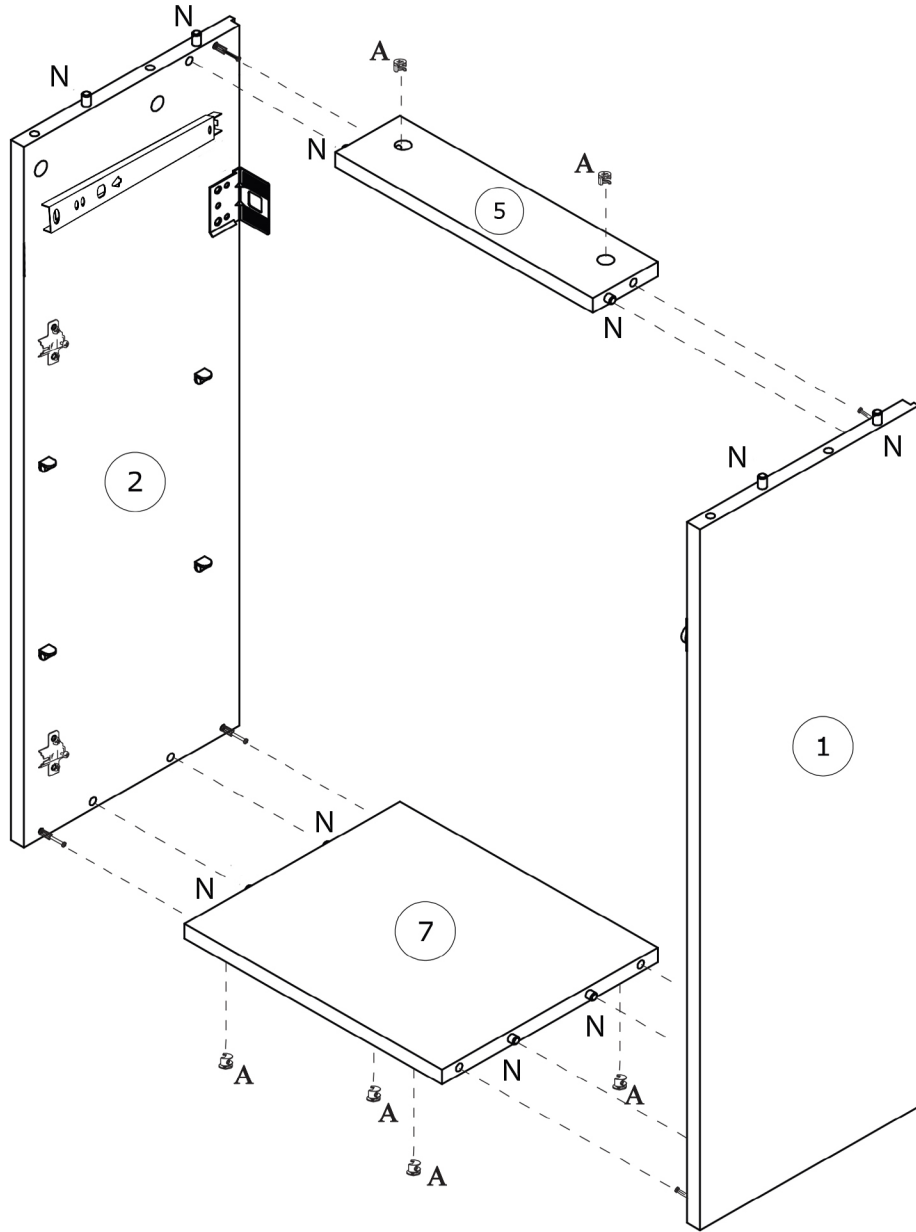
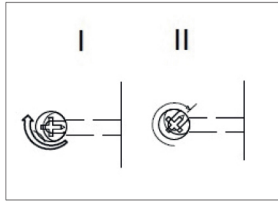
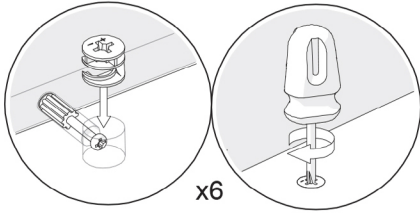
**5**



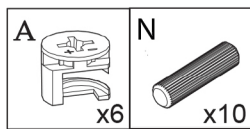


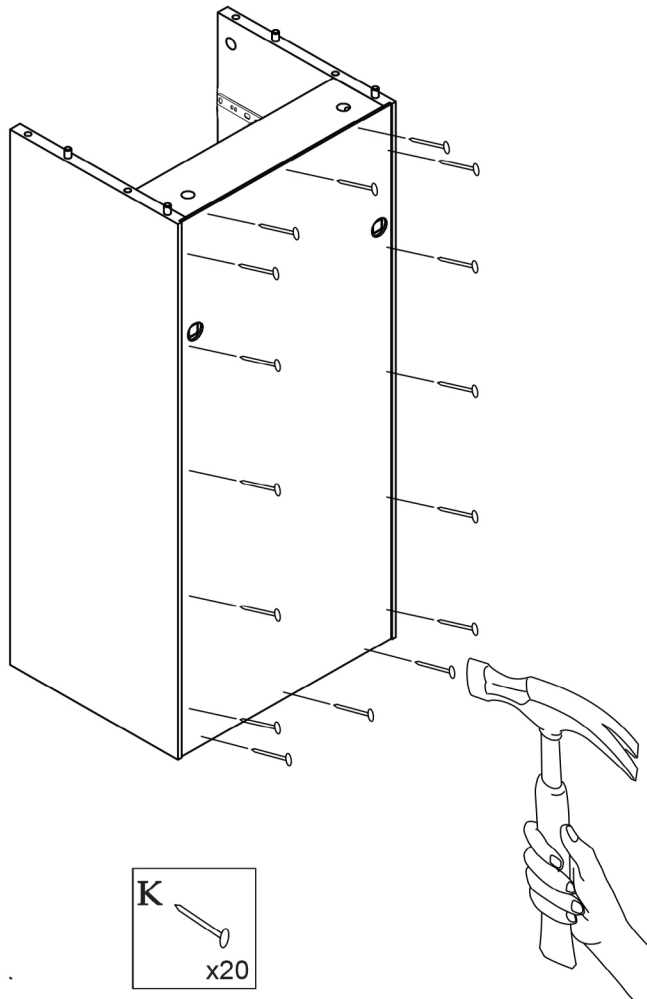
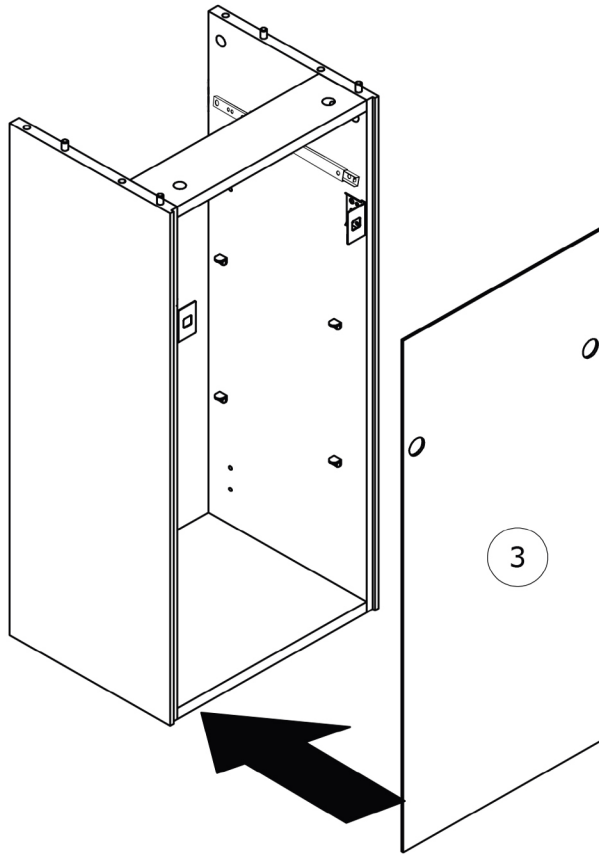
<b>B</b>  x6	<b>D</b>  4x16 x4	<b>E</b>  6x15 x4	<b>F</b>  x8	<b>G</b>  x2	<b>J</b>  x2
<b>O</b>  x1		<b>P</b>  x1			

6



7

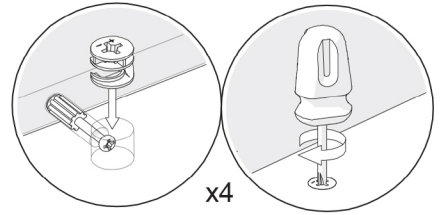
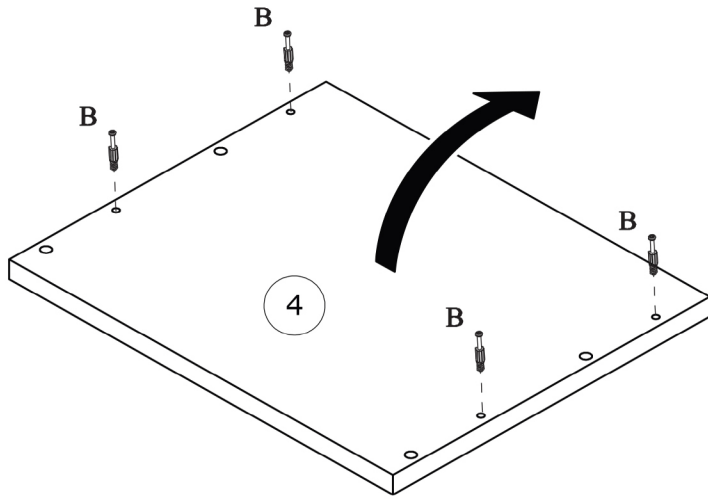




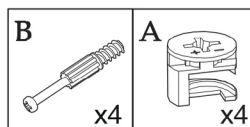
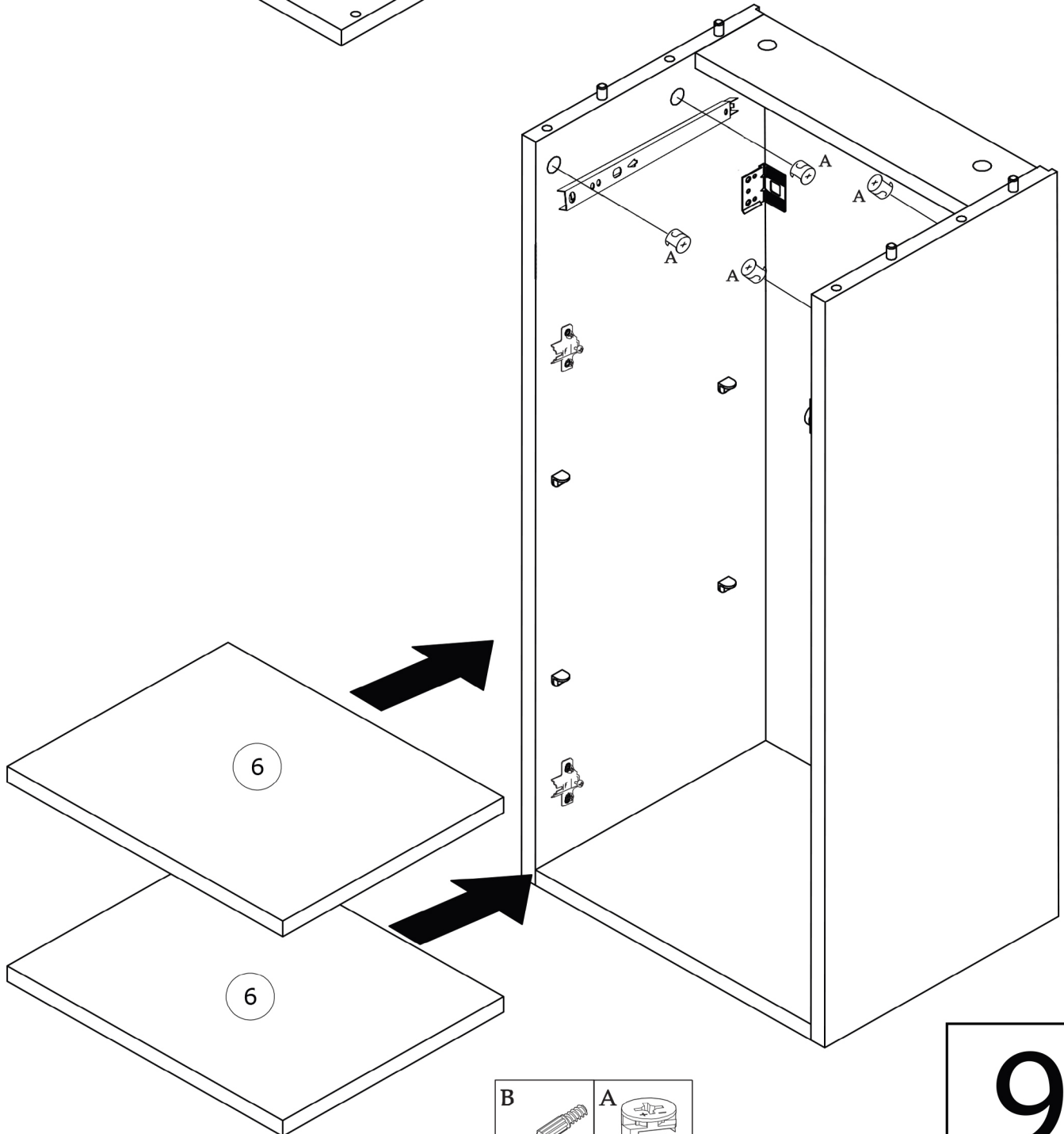
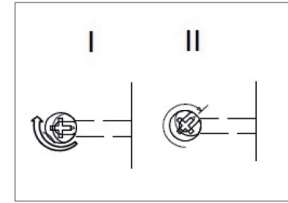
8

K  
x20





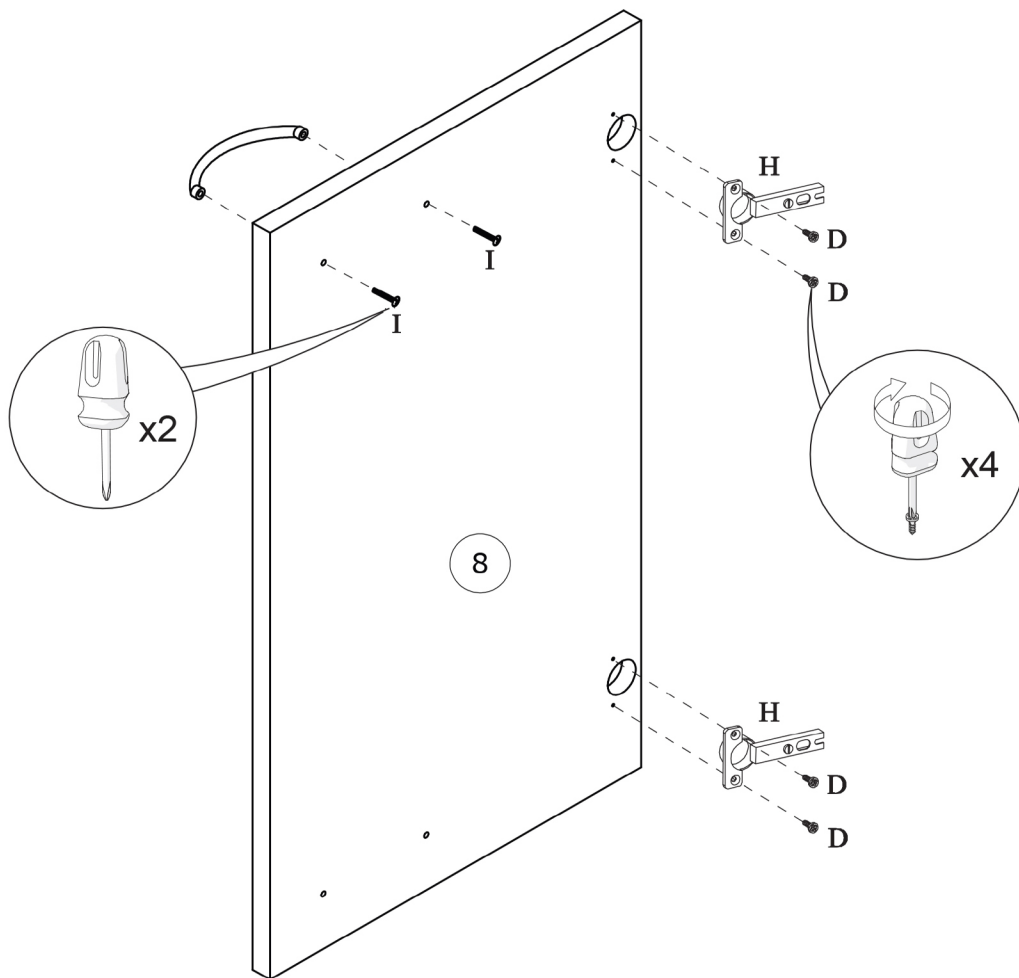
x4




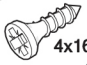


x4

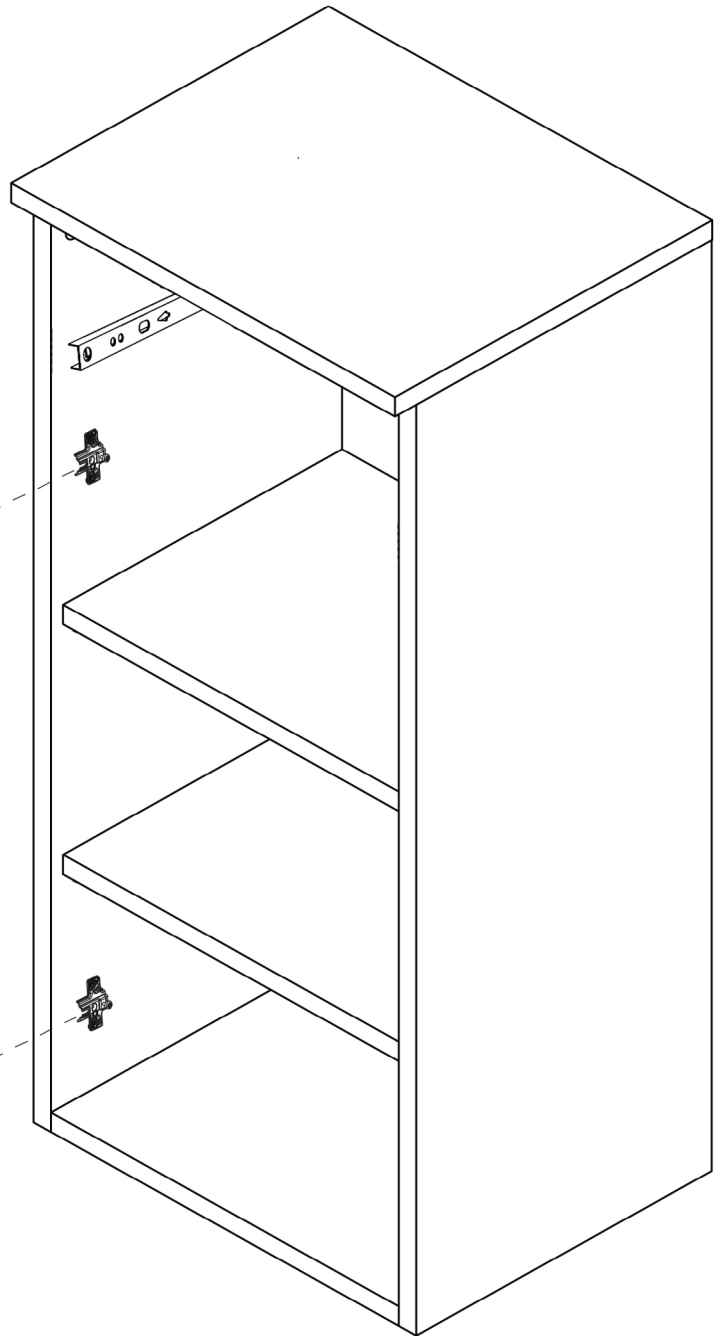
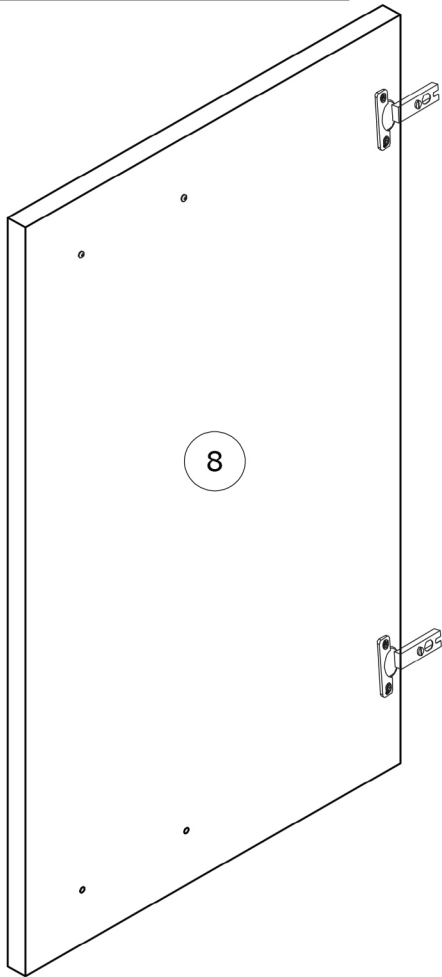
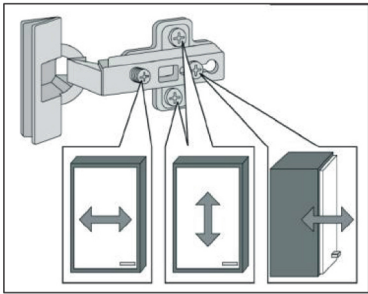
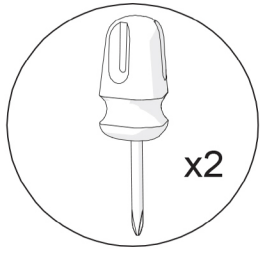
x4

9

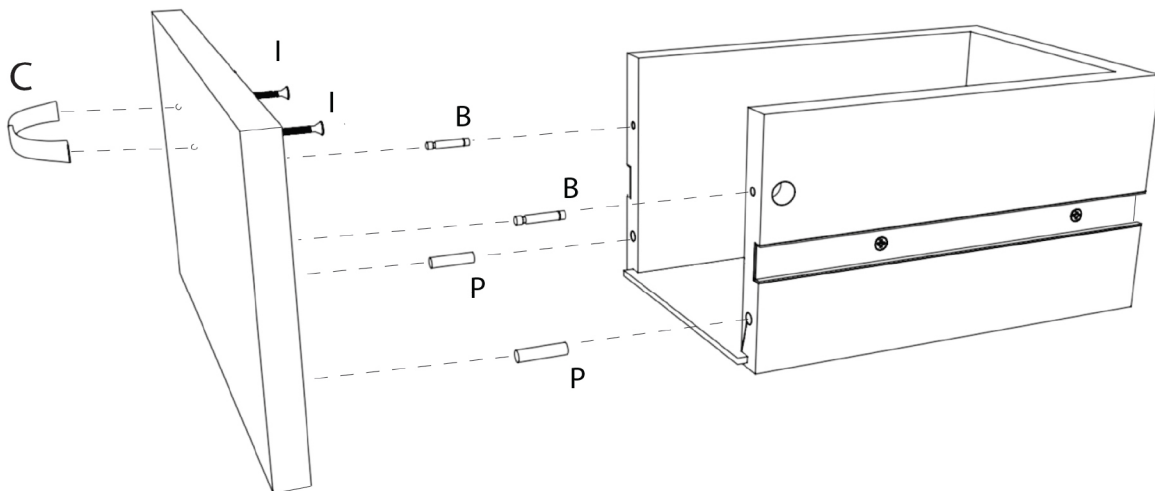
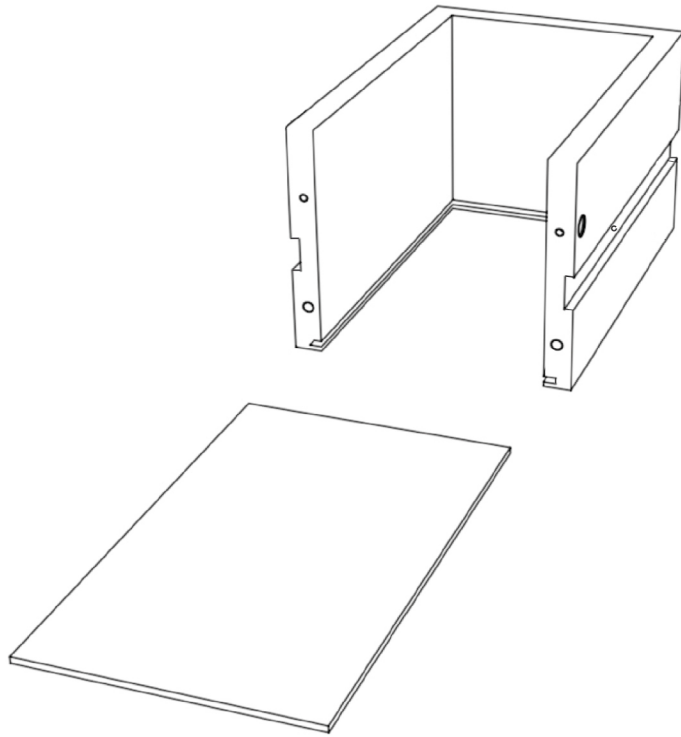


10





 <p>C x1</p>	 <p>D 4x16 x4</p>	 <p>H x2</p>	 <p>I x2</p>
---	--	---	---

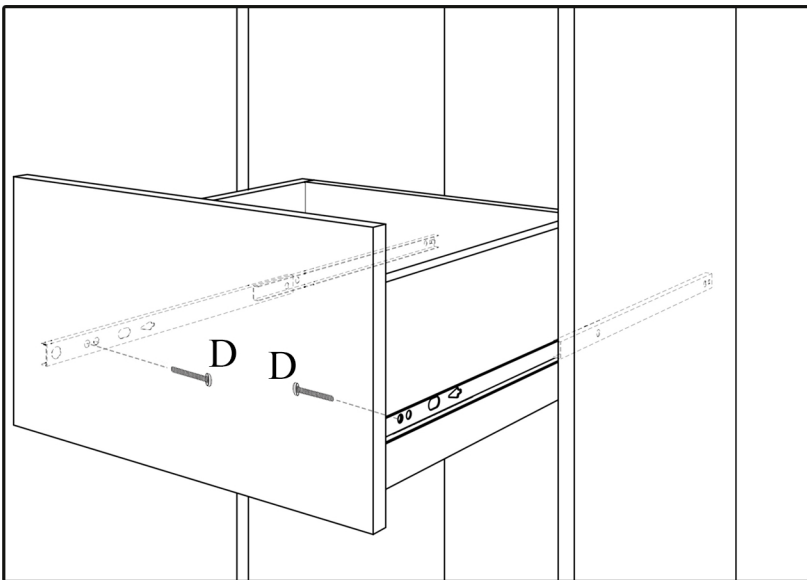
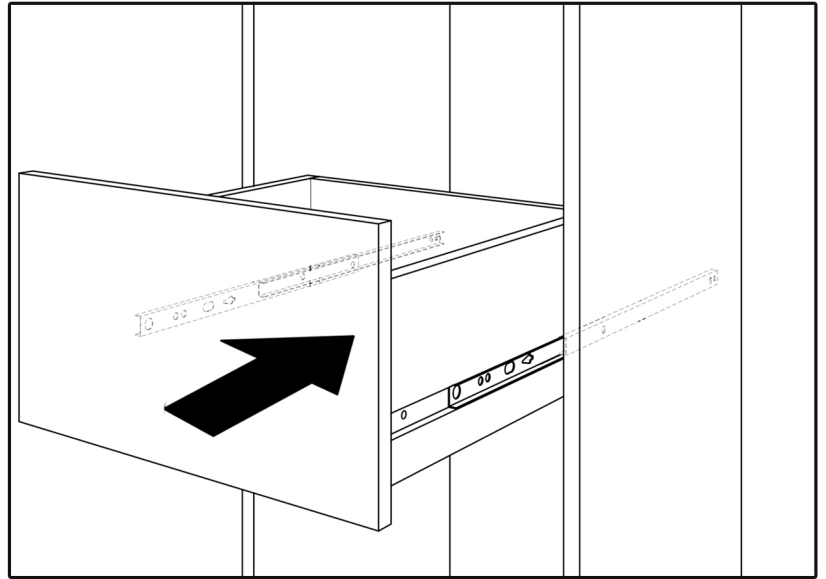
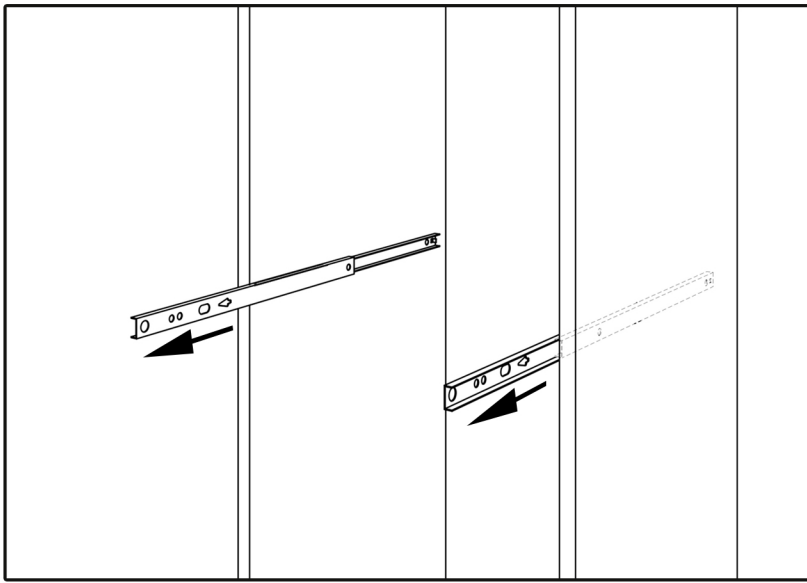


11

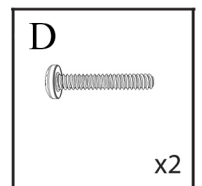


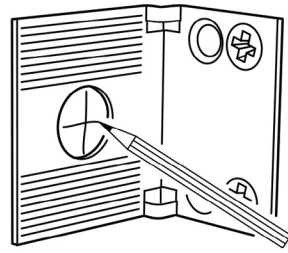
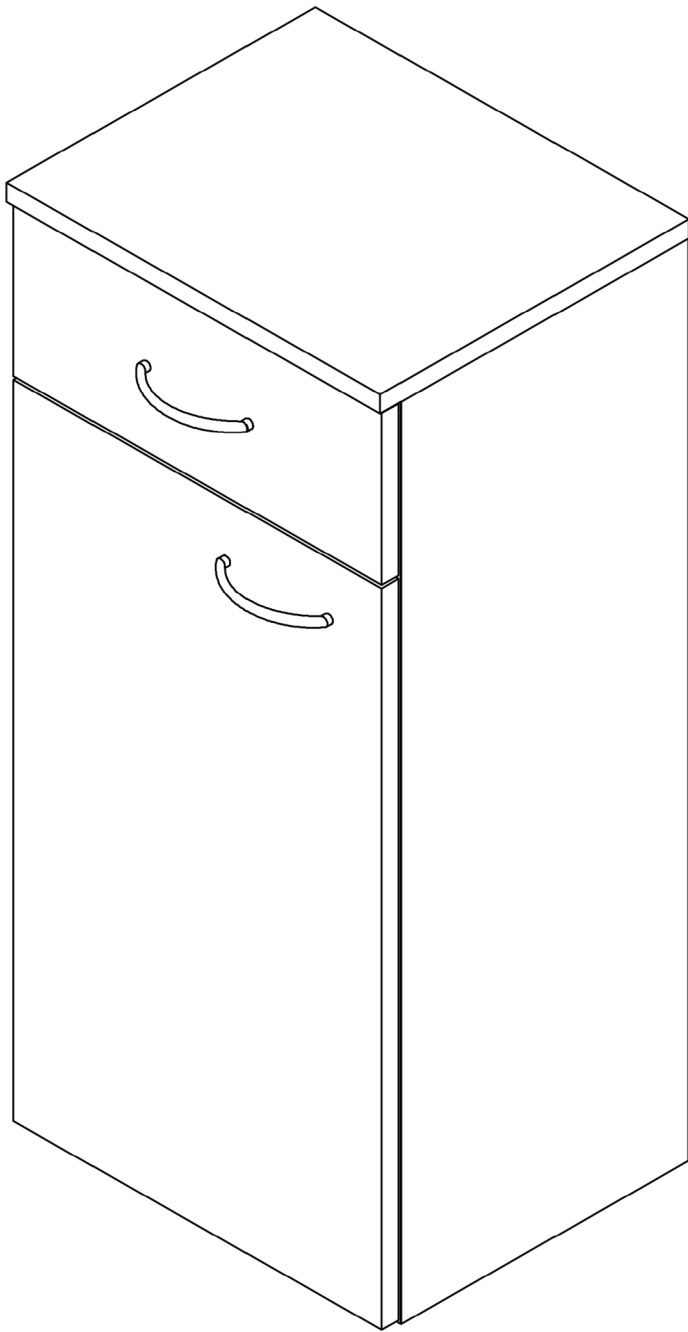
12

<p><b>B</b></p>  <p>x2</p>	<p><b>I</b></p>  <p>x2</p>	<p><b>P</b></p>  <p>x2</p>	<p><b>C</b></p>  <p>x1</p>
---	---	---	---

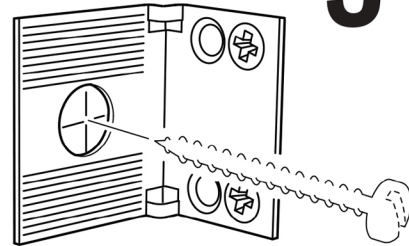


13

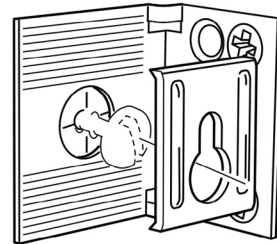




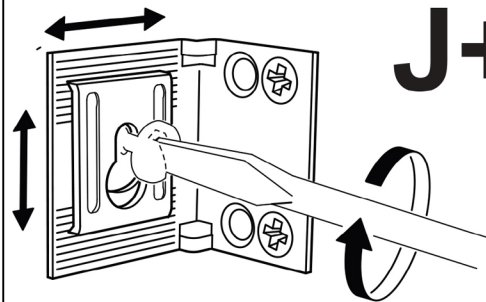
**J**



**J**

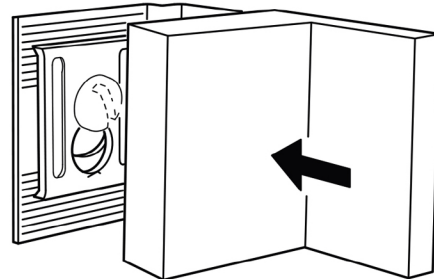


**J+M**



**J+M**

**J+M+L**



**14**

